



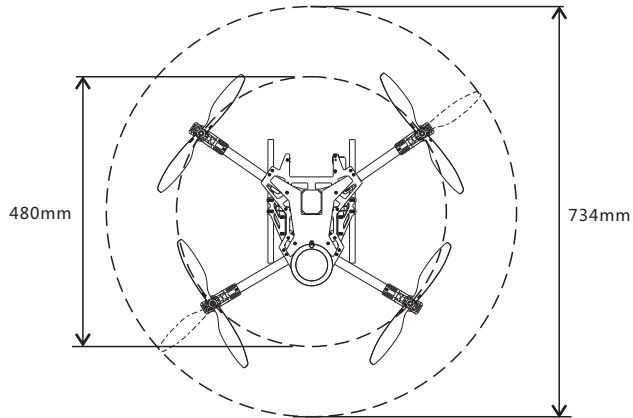
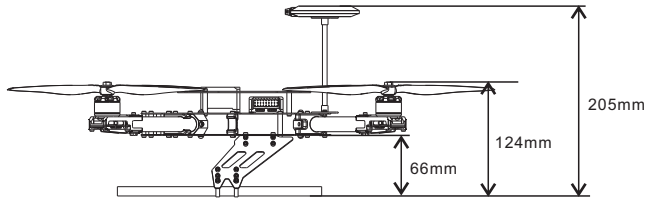
# UG470

QUICK ASSEMBLY GUIDE  
快速安装指南 v1.0

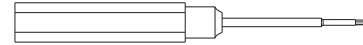
Please read the manual carefully before using XJ470  
在使用 UG470之前，请仔细阅读此安装指南。

## Features

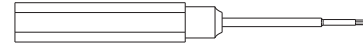
<b>Frame Weight</b>	890g
<b>Max Take-Off Weight</b>	1550g
<b>Max Payload</b>	660g
<b>Flight Time</b>	15mins (1378g with 3S 5000mAh Li-Po)



## Tools Required



Hexagon Screw Driver  
1.5mm

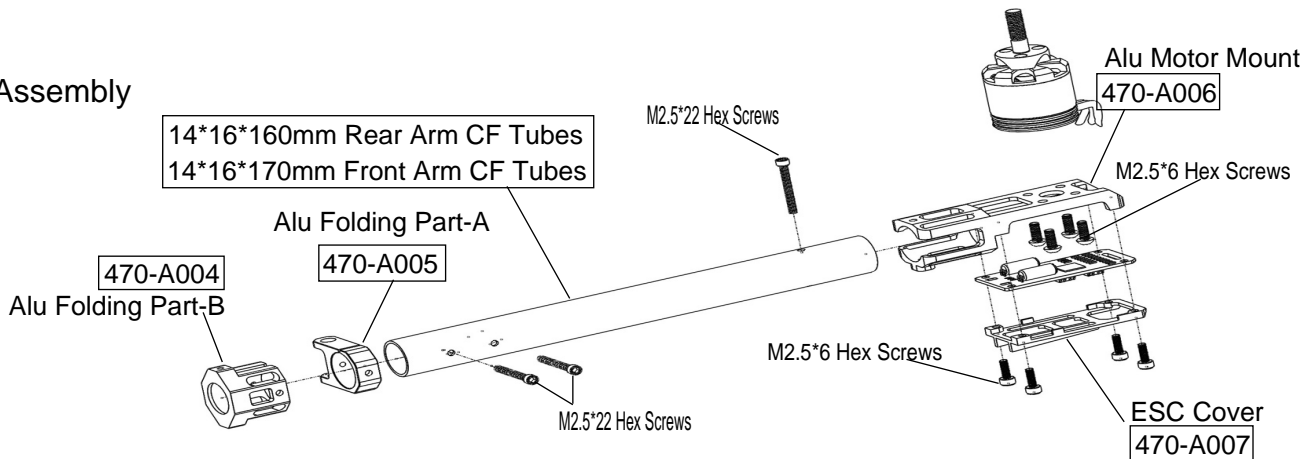


Hexagon Screw Driver  
2.0mm

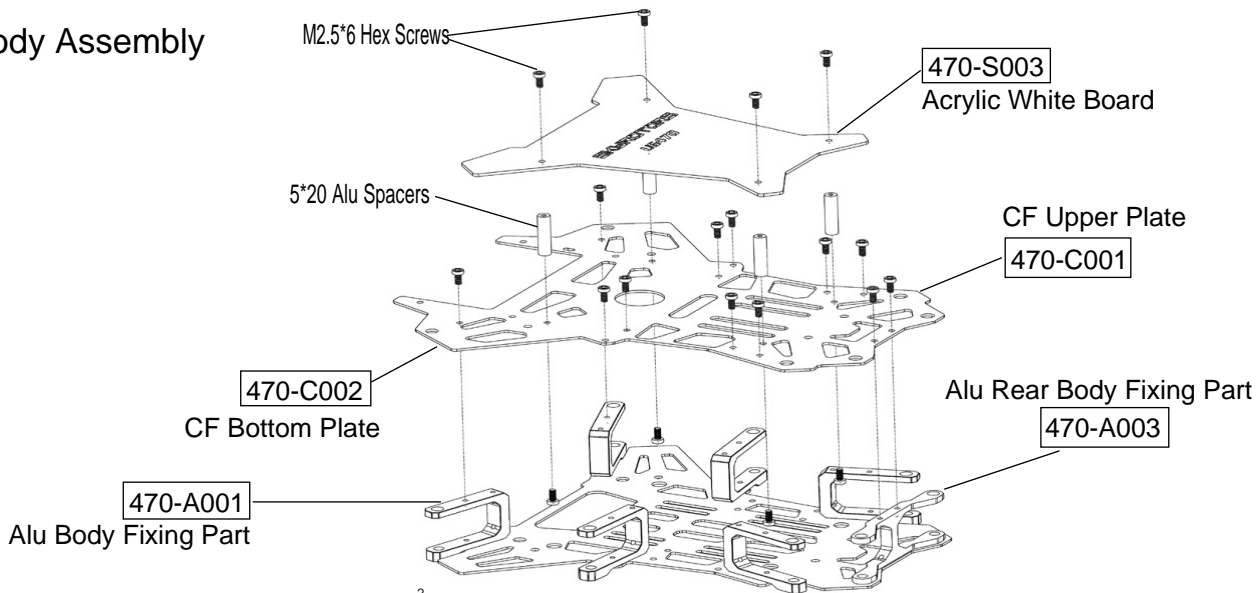
## Parts List

Component	Item No.	Name	Quantity
Alu Parts	470-A001	Fuselage fixed seat	6
Alu Parts	470-A002	M5.0 Thumb screws	4
Alu Parts	470-A003	Rear Fuselage fixed seat	1
Alu Parts	470-A004	Main rotor tube clamp	4
Alu Parts	470A-005	Main rotor folding clamp	4
Alu Parts	470-A006	Motor mount	4
Alu Parts	470-A007	ESC cover	4
Alu Parts	470A-008	Gimbal arm	2
Alu Parts	470-A009	Gimbal hanger	1
Alu Parts	470-A010	Landing gear fixed part	4
Alu Parts	470-A011	Landing gear pipe fixer	4
Carbon sheets	470-C001	Up carbon sheet	1
Carbon sheets	470C-002	Bottom carbon sheet	1
Carbon sheets	470-C003	Landing gear carbon sheet	2
Carbon sheets	470-C004	Gimbal bracket carbon sheet	2
Carbon tubes	470-T001	14*16*160mm carbon tube	2
Carbon tubes	470-T002	14*16*170mm carbon tube	2
Carbon tubes	470-T003	9*10*220mm carbon tube	2
Alu spacers	470-S001	5*33mm*M2.5 Alu spacers	4
Alu spacers	470-S002	5*20mm*M2.5 Alu spacers	4
Acrylic cover	470-S003	White acrylic cover	1
Battery ban	470-S004	2*27mm battery ban	1

# 1 Arms Assembly

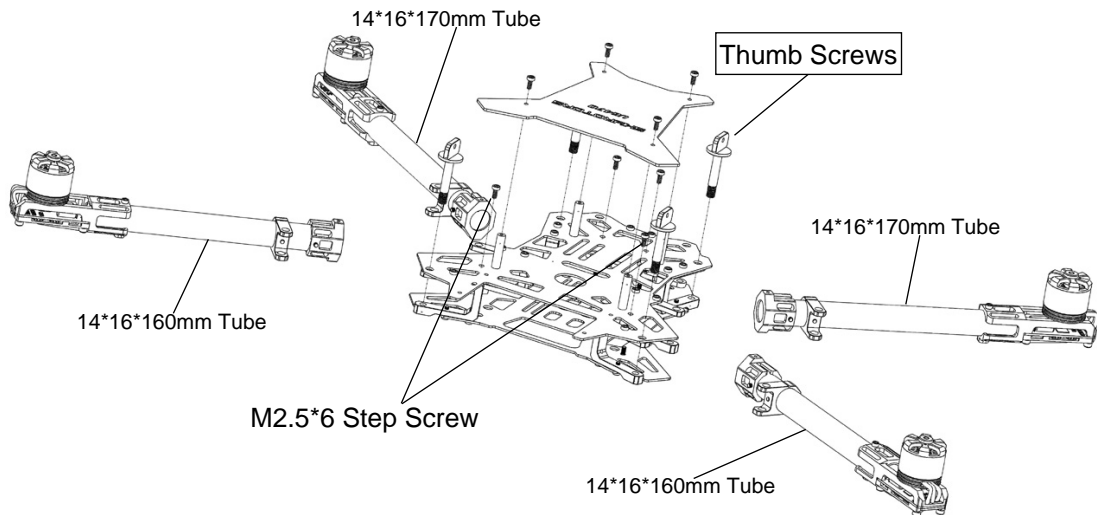


# 2 Main Body Assembly



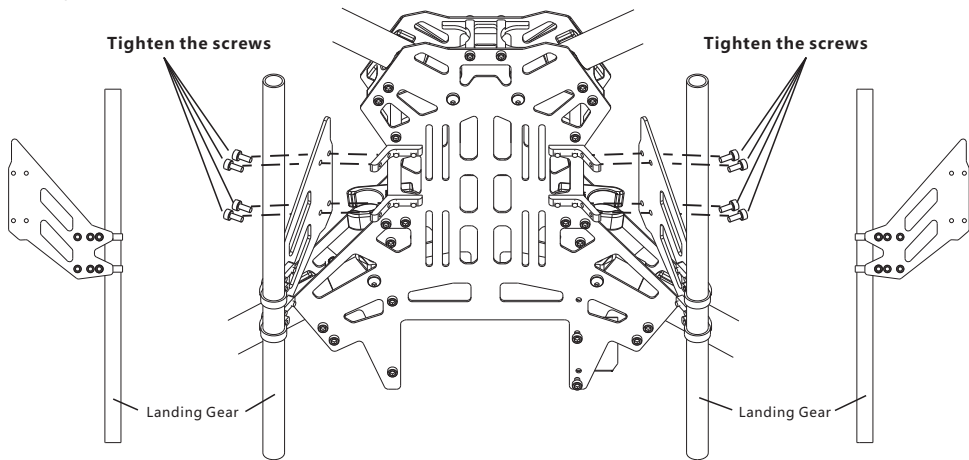
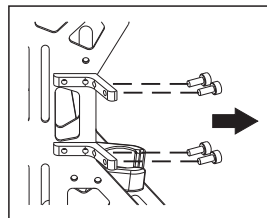
# 3

## Arms Installation onto Body



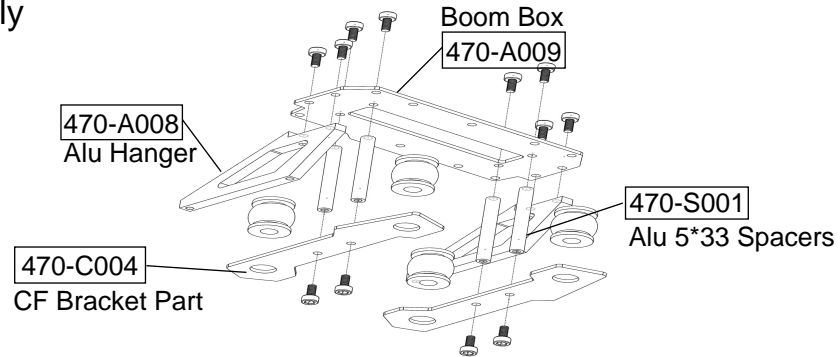
# 4

## Landing Gear Assembly

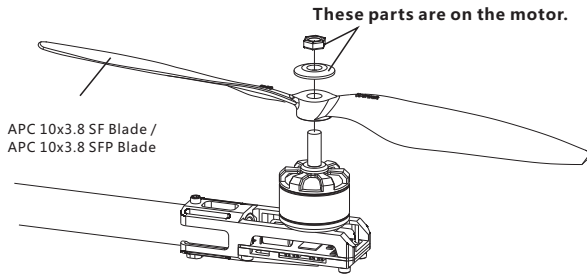




# 5 Gimbal Bracket Assembly



# 6 Propeller Assembly



## ⚠ CAUTION

The logo on the blade should be facing upwards and ensure the rotation direction is correct.

